



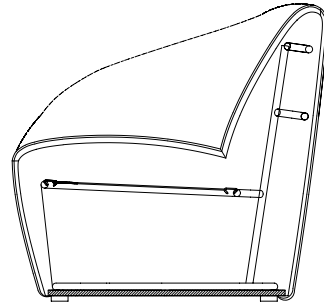
Design: Anders Nørsgaard

## Profile

## Technical design

- / Steel inner frame
- / Spring system: nosag spring
- / Seat upholstery in cold moulded polyurethane foam, "density" 50 kg/m<sup>3</sup>
- / Backrest upholstery in cold moulded polyurethane foam, "density" 50 kg/m<sup>3</sup>
- / Standard leg: plastic

The data of "density" can vary in a range of +/-10%.



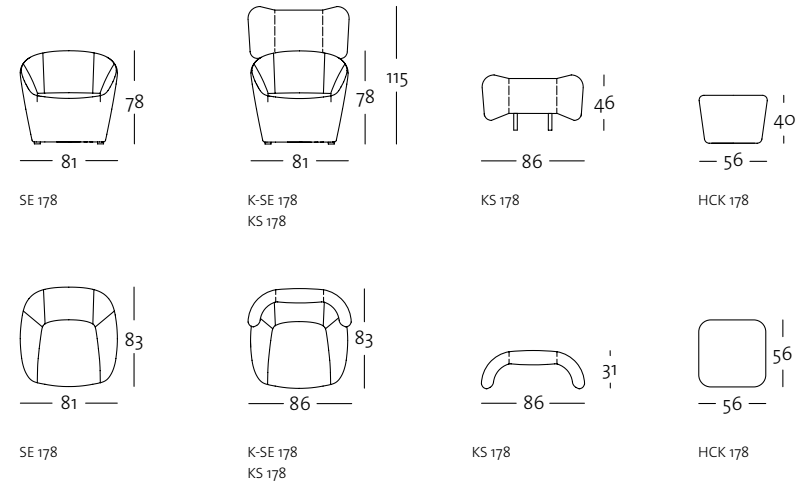
## Information

- / **For an additional charge: plastic castors; soft for hard flooring (parquet, tiles etc.), hard for soft flooring (carpets etc.). Please specify accordingly when ordering.**
- / There are more dividing seams in leather covers than in fabric covers.
- / Detailed information about this can be found in the freistil technical section-brochure.
- / The range is only suitable for velour covers to a limited extent.
- / The fell seams and piping can lead to lines in the pile.
- / The armchair can later be equipped with an additional headrest.



## Overview of range

### Front view / Top view



### Side view

